

Part F Installation

This part of the manual is divided into the sections listed below. These sections give a brief description of the basic rack mounting and wiring procedures for the T835 receiver, T836 transmitter, T837 exciter and T838/839 power amplifiers.

Section	Title	Page
1	T835 Installation	1.1
1.1	Rack Mounting	1.1
1.2	Rack Wiring	1.1
1.3	Power Supply	1.2
1.4	Reverse Polarity & Overvoltage Protection	1.2
2	T836/837 Installation	2.1
2.1	Rack Mounting	2.1
2.2	Rack Wiring	2.1
2.3	Power Supply	2.2
2.4	Reverse Polarity & Overvoltage Protection	2.2
3	T838/839 Installation	3.1
3.1	Rack Mounting	3.1
3.2	Rack Wiring	3.1
3.3	Power Supply	3.2
3.4	Reverse Polarity & Overvoltage Protection	3.2
4	N-Type Connector Assembly	4.1

Figure	Title	Page
1.1	T800-41-0002 Double Guide Kit	1.1
1.2	T835 Chassis Connectors	1.1
1.3	T835 D-Range 1 Wiring - Rear View	1.1
1.4	T835 D-Range 2 Wiring - Rear View (T800-03-0000 Kit)	1.1
2.1	T800-41-0002 Double Guide Kit	2.1
2.2	T836/837 Chassis Connectors	2.1
2.3	T836/837 D-Range 1 Wiring - Rear View	2.1
2.4	T836/837 D-Range 2 Wiring - Rear View (T800-03-0000 Kit)	2.1

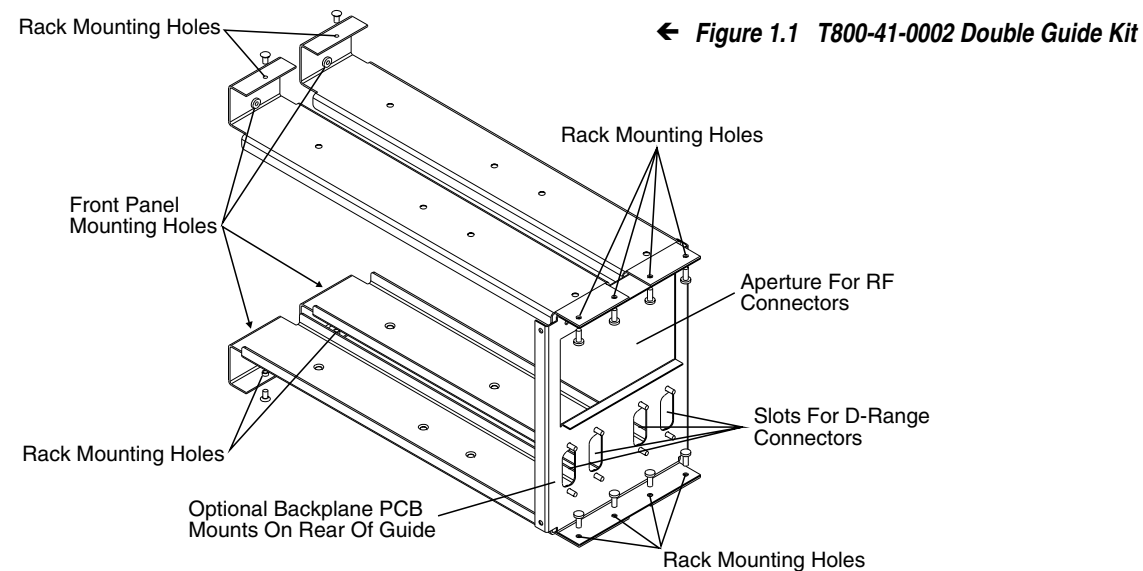
Figure	Title	Page
3.1	T800-45-0001 PA Guide Kit	3.1
3.2	T838/839 Chassis Connectors	3.1
3.3	T838/839 PA In Latched Position	3.1
3.4	T838/839 D-Range Wiring - Rear View	3.1
4.1	N-Type Plug Assembly Details	4.1

1 T835 Installation

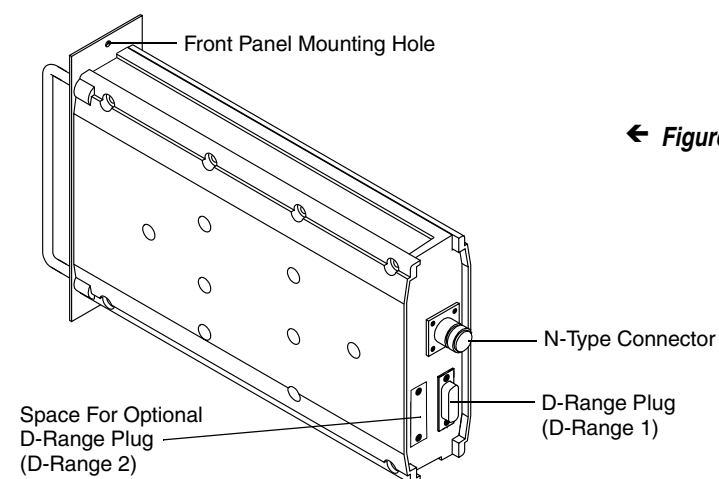
1.1 Rack Mounting

The T835 receiver is designed for use in a standard 483mm rack frame using a Tait T800 Series II guide. The guide is securely mounted to the rack frame with front and rear retaining screws, and the T835 is secured into the guide with two front panel mounting screws. Figure 1.1 shows a standard, double module guide which can also be fitted with an optional backplane PCB to locate and mate the rear D-range connector(s). For more information on available guide kits, refer to the T800 Ancillary Equipment Service Manual or your nearest Tait Dealer or Customer Service Organisation.

A rear mounted N-type connector is used for RF input on the T835, while all DC, audio and control connections are via the rear mounted D-range connector, D-range 1 (PL100). An additional rear D-range connector (T800-03-0000) can be fitted when remote multichannel operation, or additional control or low frequency lines are required (refer to Figure 1.2).



← Figure 1.1 T800-41-0002 Double Guide Kit



← Figure 1.2 T835 Chassis Connectors

1.2 Rack Wiring

The D-range input and output connections are shown in Figure 1.3 and Figure 1.4. Ensure that the cables are not subjected to any stresses due to tight bends or incorrect lengths.

Make sure the RF coax cable to the N-type connector is free from sharp bends or twists. If access to the rear of the rack frame is restricted, the cable should be long enough to allow the chassis to be fully withdrawn from the guide.

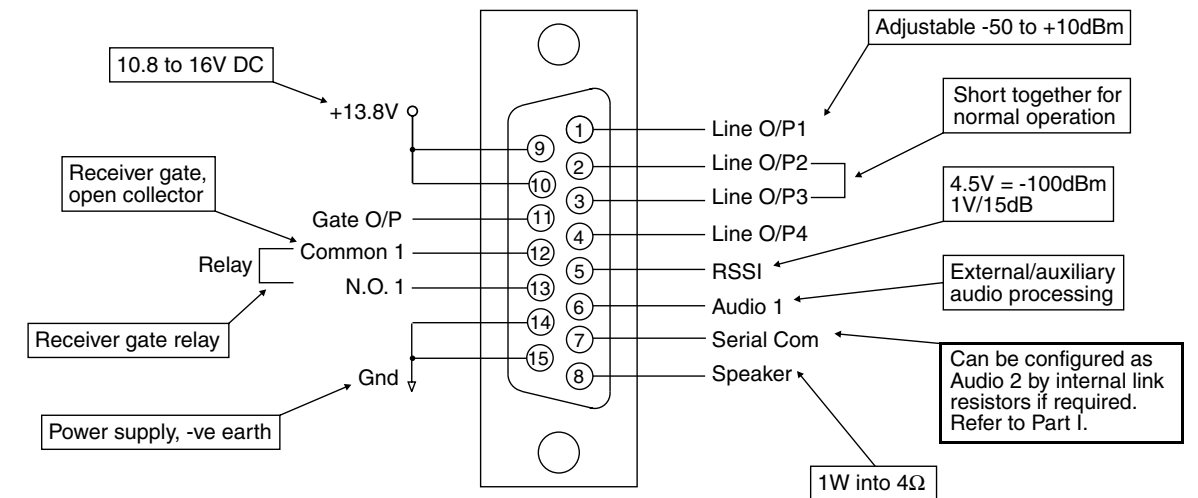


Figure 1.3 T835 D-Range 1 Wiring - Rear View

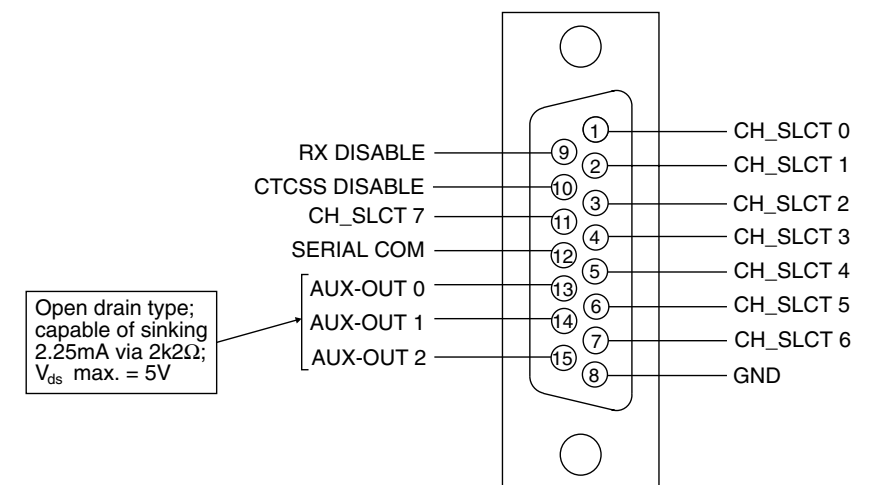


Figure 1.4 T835 D-Range 2 Wiring - Rear View (standard T800-03-0000 kit)

Note: Figure 1.4 above shows the standard pin allocations for the T800-03-0000 auxiliary D-range kit. A T800-03 auxiliary D-range kit is also available for special applications requiring custom internal wiring.

1.3 Power Supply

If a power supply other than an appropriate Tait model is used, ensure that it is capable of providing enough current to drive the T800 system and is also free from excessive ripple or noise.

The system should be protected by the use of appropriately rated fuses in the power supply.

Note: It is particularly important when the prime power source is a battery that fuses be employed in all supply lines.

1.4 Reverse Polarity & Overvoltage Protection

A crowbar diode is fitted to all T835 receivers for protection against connection to a power supply of incorrect polarity. It also provides overvoltage protection from voltage transients caused by lightning strikes.

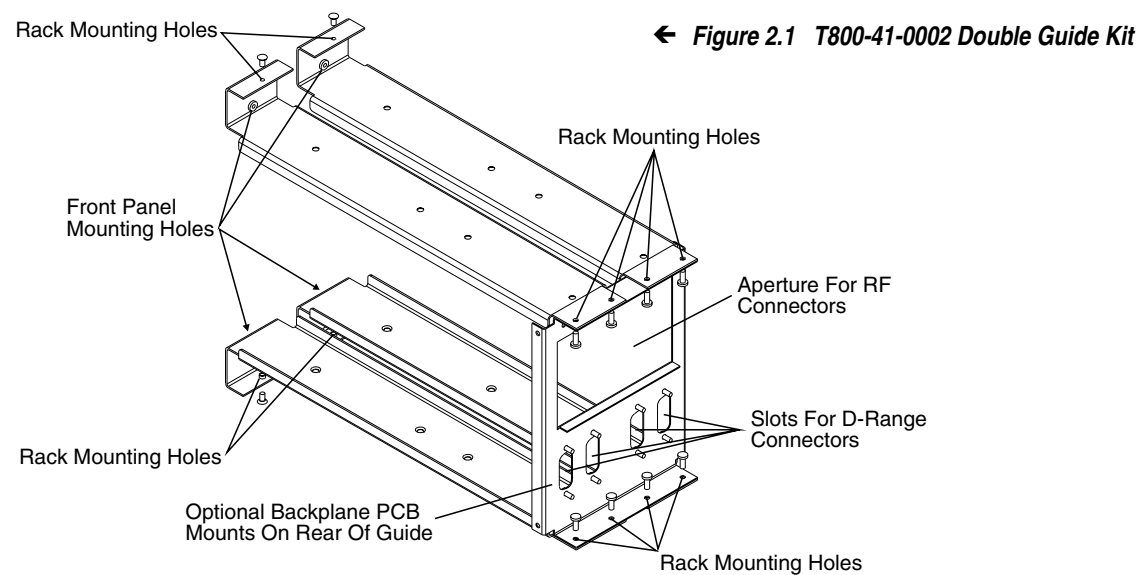
Note: A fuse must be fitted in the power supply line for the diode to provide effective protection.

2 T836/837 Installation

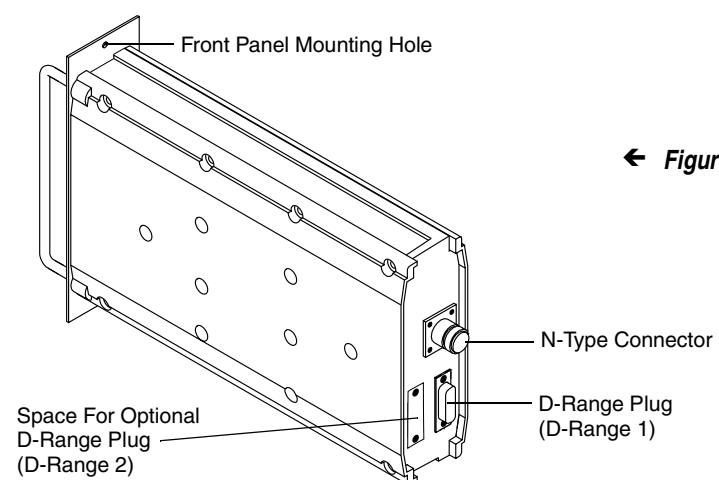
2.1 Rack Mounting

The T836 transmitter and T837 exciter are designed for use in a standard 483mm rack frame using a Tait T800 Series II guide. The guide is securely mounted to the rack frame with front and rear retaining screws, and the T836/837 is secured into the guide with two front panel mounting screws. Figure 2.1 shows a standard, double module guide which can also be fitted with an optional backplane PCB to locate and mate the rear D-range connector(s). For more information on available guide kits, refer to the T800 Ancillary Equipment Service Manual or your nearest Tait Dealer or Customer Service Organisation.

A rear mounted N-type connector is used for RF output on the T836/837, while all DC, audio and control connections are via the rear mounted D-range connector, D-range 1 (PL100). An additional rear D-range connector (T800-03-0000) can be fitted when remote multichannel operation, or additional control or low frequency lines are required (refer to Figure 2.2).



← Figure 2.1 T800-41-0002 Double Guide Kit



← Figure 2.2 T836/837 Chassis Connectors

2.2 Rack Wiring

The D-range input and output connections are shown in Figure 2.3 and Figure 2.4. Ensure that the cables are not subjected to any stresses due to tight bends or incorrect lengths.

Make sure the RF coax cable to the N-type connector is free from sharp bends or twists. If access to the rear of the rack frame is restricted, the cable should be long enough to allow the chassis to be fully withdrawn from the guide.

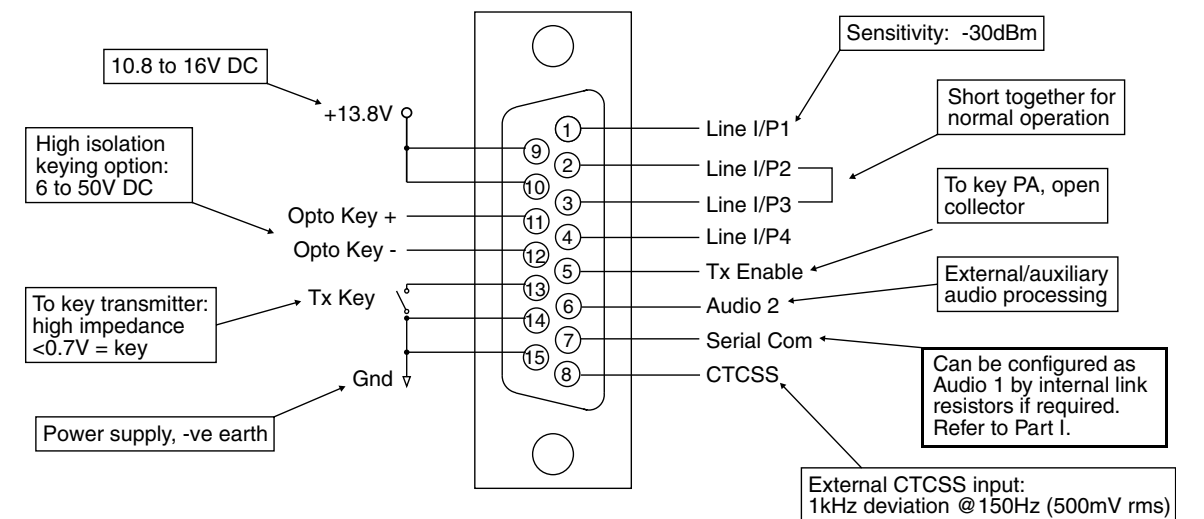


Figure 2.3 T836/837 D-Range 1 Wiring - Rear View

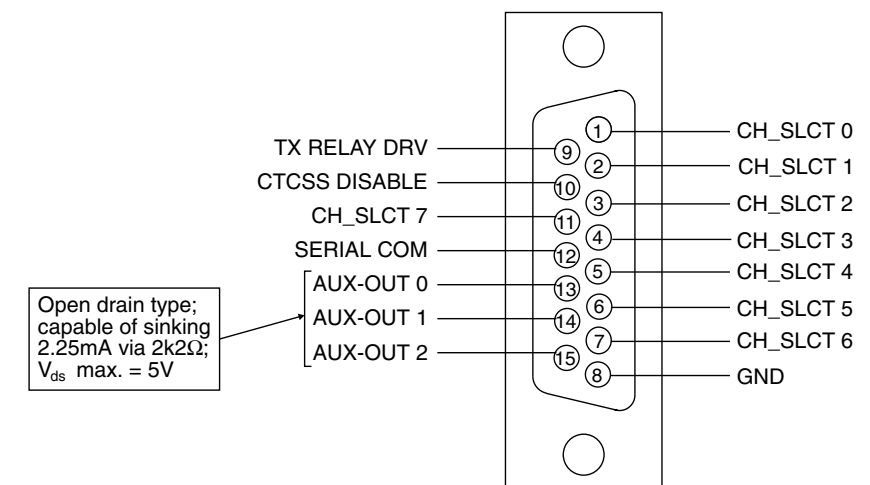


Figure 2.4 T836/837 D-Range 2 Wiring - Rear View (standard T800-03-0000 kit)

Note: Figure 2.4 above shows the standard pin allocations for the T800-03-0000 auxiliary D-range kit. A T800-03 auxiliary D-range kit is also available for special applications requiring custom internal wiring.

2.3 Power Supply

If a power supply other than an appropriate Tait model is used, ensure that it is capable of providing enough current to drive the T800 system and is also free from excessive ripple or noise.

The system should be protected by the use of appropriately rated fuses in the power supply.

Note: It is particularly important when the prime power source is a battery that fuses be employed in all supply lines.

2.4 Reverse Polarity & Overvoltage Protection

A crowbar diode is fitted to all T836 transmitters and T837 exciters for protection against connection to a power supply of incorrect polarity. It also provides overvoltage protection from voltage transients caused by lightning strikes.

Note: A fuse must be fitted in the power supply line for the diode to provide effective protection.

3 T838/839 Installation

3.1 Rack Mounting

Caution: If you require continuous operation of the T838, leave the rack module position immediately adjacent to the finned heatsink empty. There should be adequate airflow over the fins at all times. Extra airflow can be provided by fitting an auxiliary fan kit such as the T800-19-0010 (refer to the T800 Ancillary Equipment Service Manual or your nearest Tait Dealer or Customer Service Organisation for more details).

The T838 and T839 PAs are designed for use in a standard 483mm rack frame using Tait T800 Series II guide rails. The guide rails are securely mounted to the rack frame with front and rear retaining screws, and the PA is secured into the guide with two (T838) or four (T839) front panel mounting screws. Figure 3.1 shows the standard, double width guide designed for use with the T839, while Figure 3.3 shows how the PA can be latched in the extended position. For more information on available guide kits, refer to the T800 Ancillary Equipment Service Manual or your nearest Tait Dealer or Customer Service Organisation.

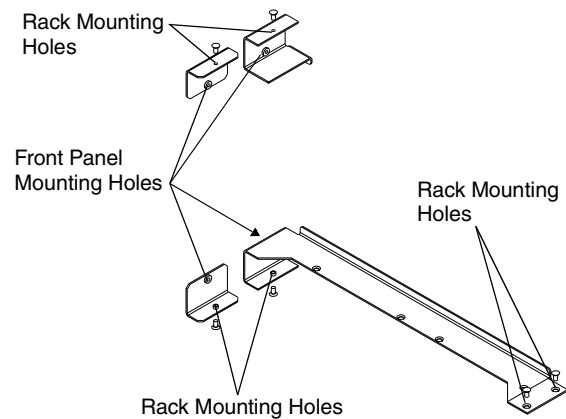


Figure 3.1 T800-45-0001 PA Guide Kit

The PA rear panel has three connectors: a BNC for RF input (from an adjacent T837 exciter), an N-type for RF output and a D-range for all DC, audio and control connections (refer to Figure 3.2).

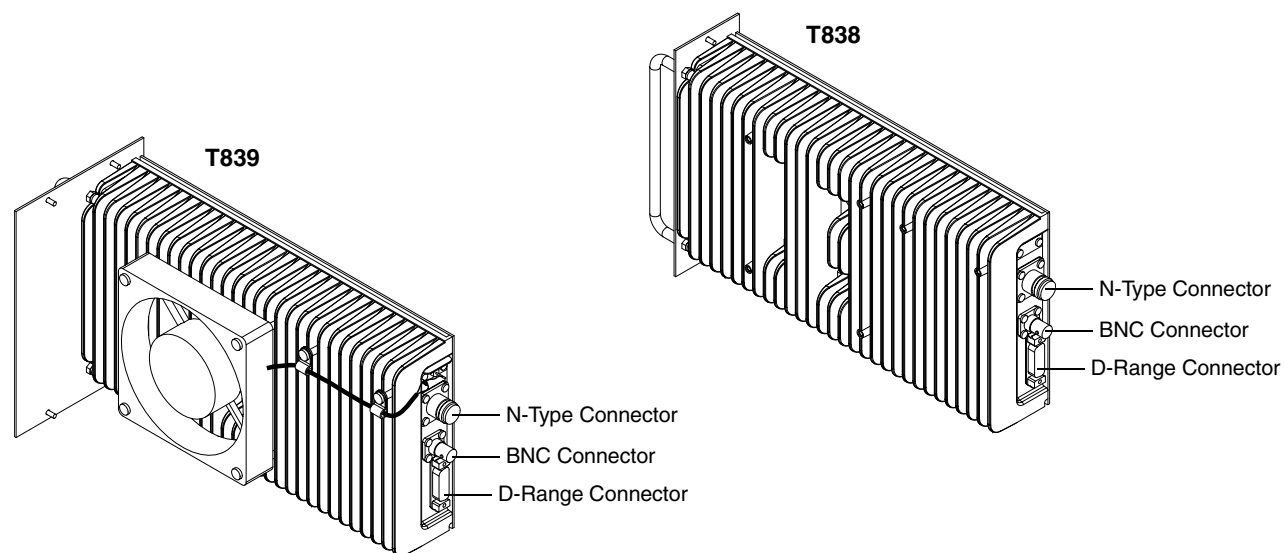


Figure 3.2 T838/839 Chassis Connectors

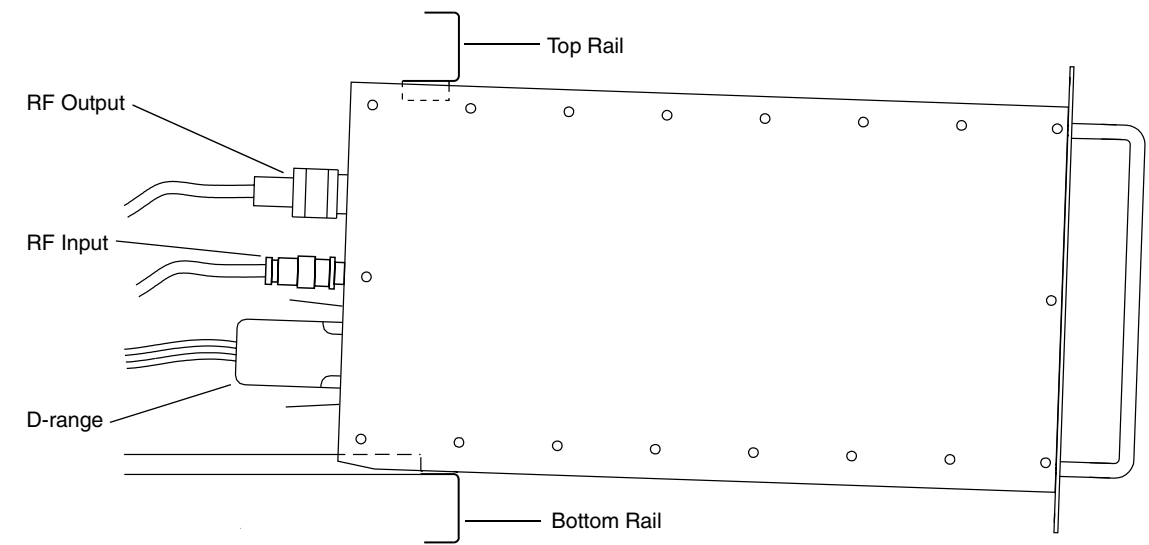


Figure 3.3 T838/839 PA In Latched Position

Note: You will need appropriate extension leads if you wish to carry out any adjustment procedures with the PA withdrawn from the rack in the latched position. Alternatively, disconnect and withdraw the PA and reconnect it behind the rack.

3.2 Rack Wiring

The D-range input and output connections are shown in Figure 3.4. Ensure that the cables are not subjected to any stresses due to tight bends or incorrect lengths.

Make sure the RF coax cables to the N-type and BNC connectors are free from sharp bends or twists. If access to the rear of the rack frame is restricted, the cables should be long enough to allow the chassis to be fully withdrawn from the guide.

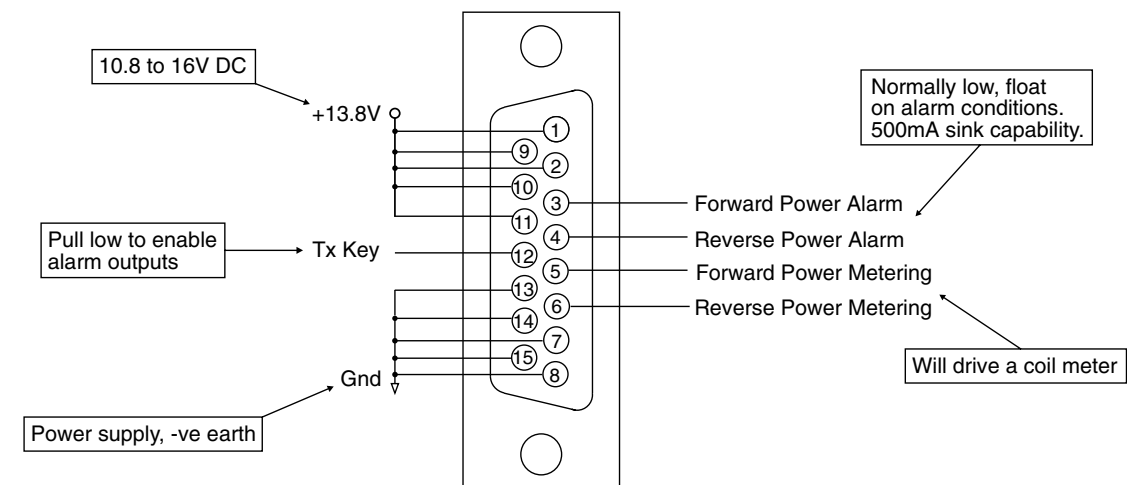


Figure 3.4 T838/839 D-Range Wiring - Rear View

3.3 Power Supply

If a power supply other than an appropriate Tait model is used, ensure that it is capable of providing enough current to drive the T800 system and is also free from excessive ripple or noise.

The system should be protected by the use of appropriately rated fuses in the power supply.

Note: It is particularly important when the prime power source is a battery that fuses be employed in all supply lines.



Caution: Connect the power supply *directly* to the PA, and *not* via connector blocks. This will avoid overheating of connector blocks that are not of the correct current rating.

3.4 Reverse Polarity & Overvoltage Protection

A crowbar diode is fitted to all T838/839 PAs for protection against connection to a power supply of incorrect polarity. It also provides overvoltage protection from voltage transients caused by lightning strikes.

Note: A fuse must be fitted in the power supply line for the diode to provide effective protection.

4 N-Type Connector Assembly

Make sure that any N-type plugs connected to Tait equipment are assembled according to the manufacturer's instructions. It is particularly important that the centre pin in the plug is positioned correctly:

- if the pin is positioned too far back in the plug, it may not make good contact with the socket;
- if the pin protrudes too far (as shown in [Figure 4.1](#)), or is not straight, it may damage the socket when the plug is screwed in.

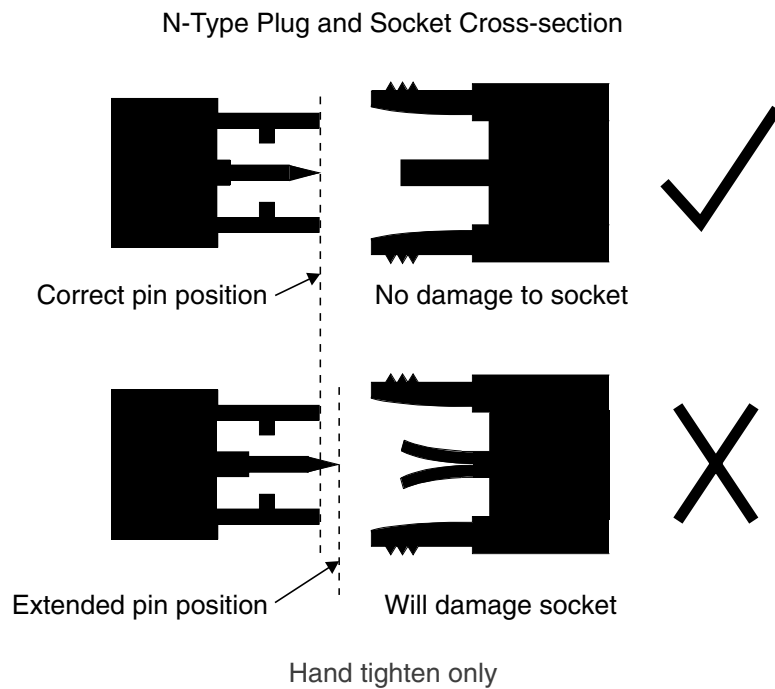


Figure 4.1 N-Type Plug Assembly Details

